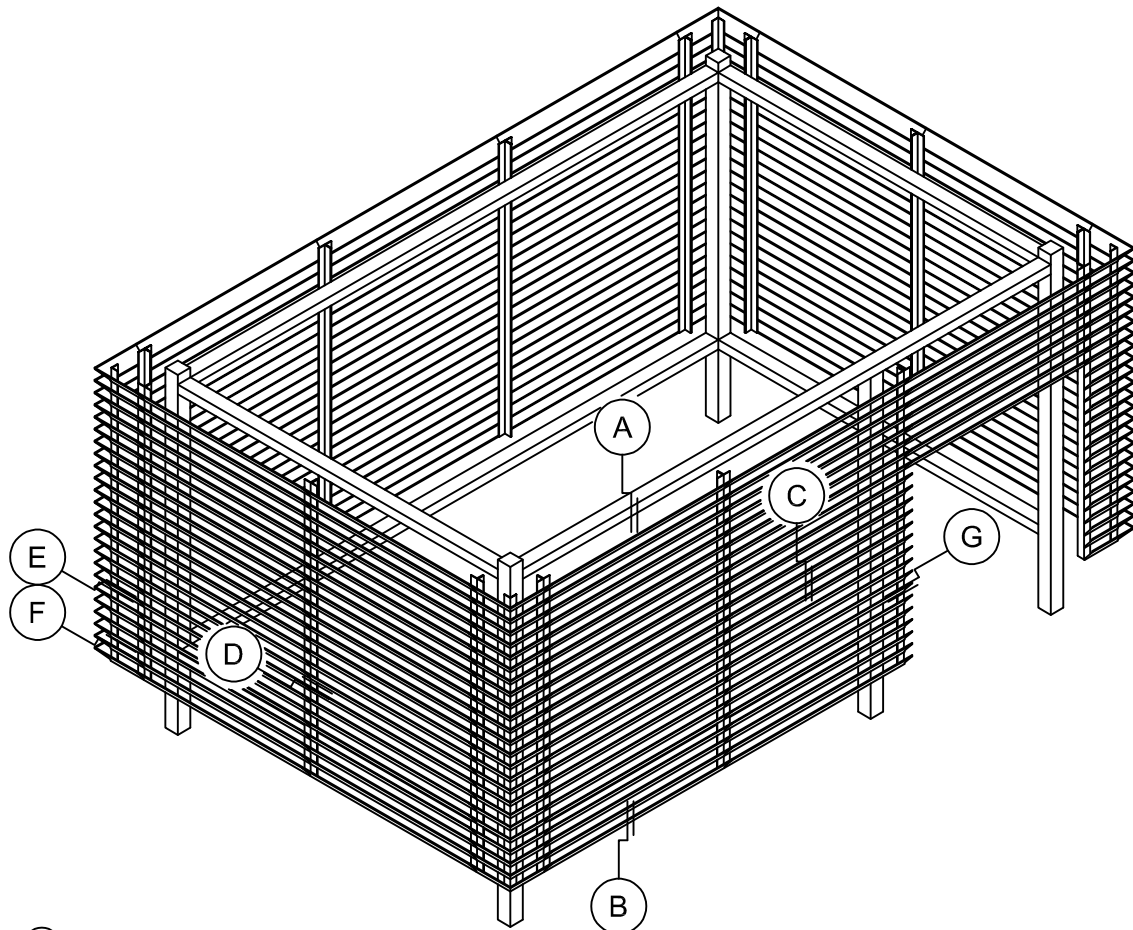
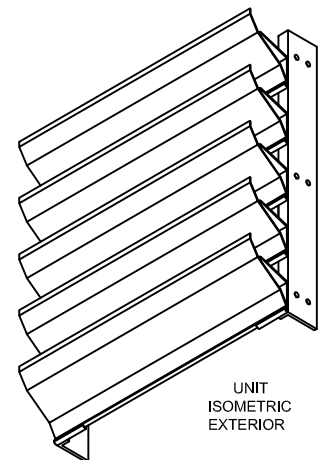
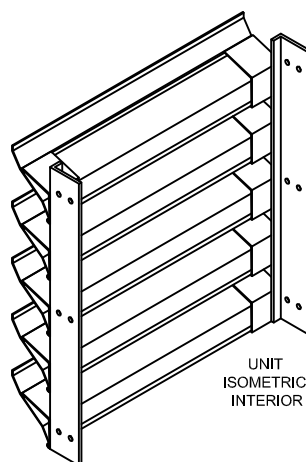


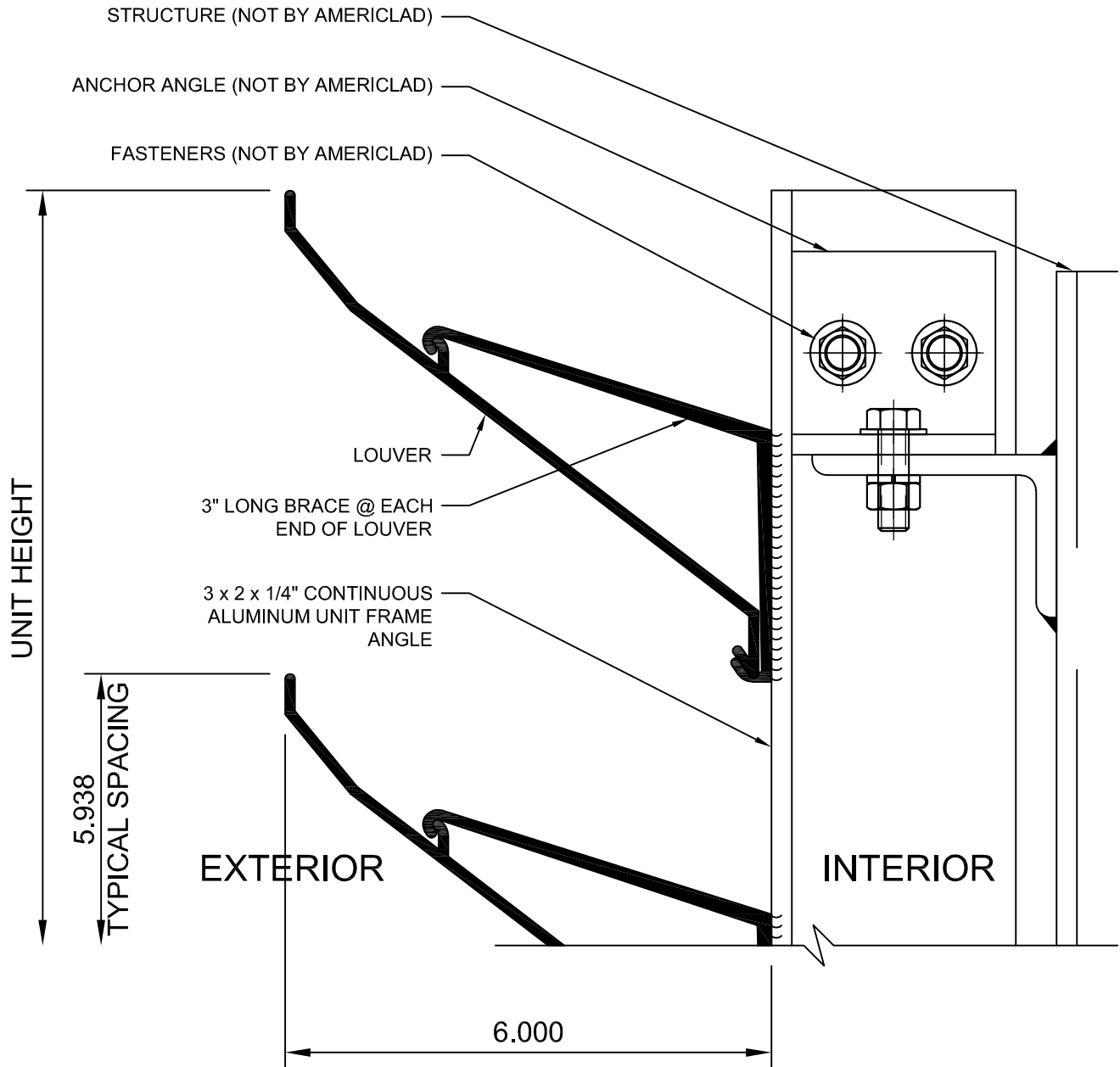
EQUIPMENT SCREEN - 6 INCH INVERTED


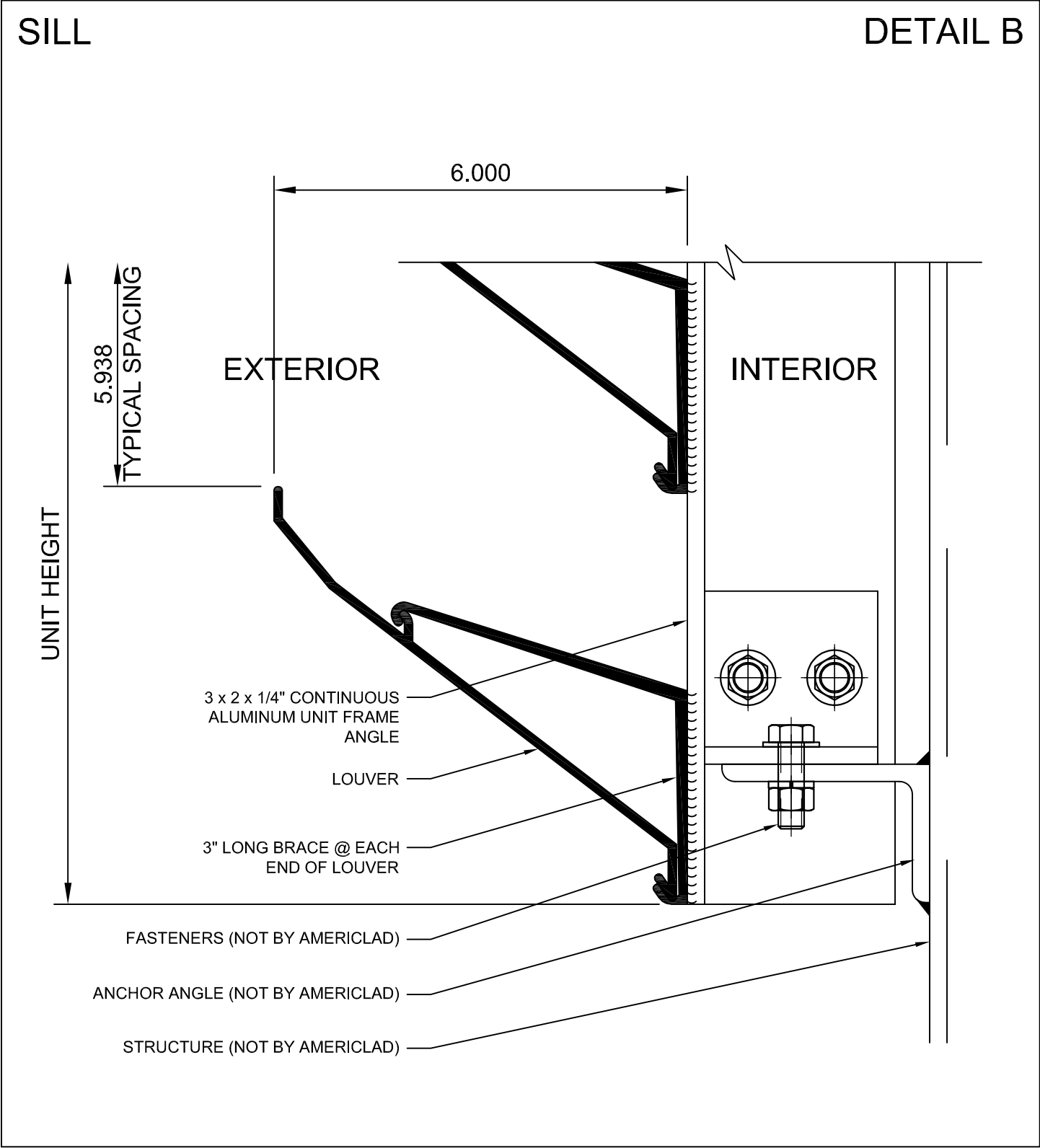
- (A) HEAD
- (B) SILL
- (C) HORIZONTAL SPLICE
- (D) INTERMEDIATE VERTICAL
- (E) CORNER (1)
- (F) CORNER (2)
- (G) JAMB



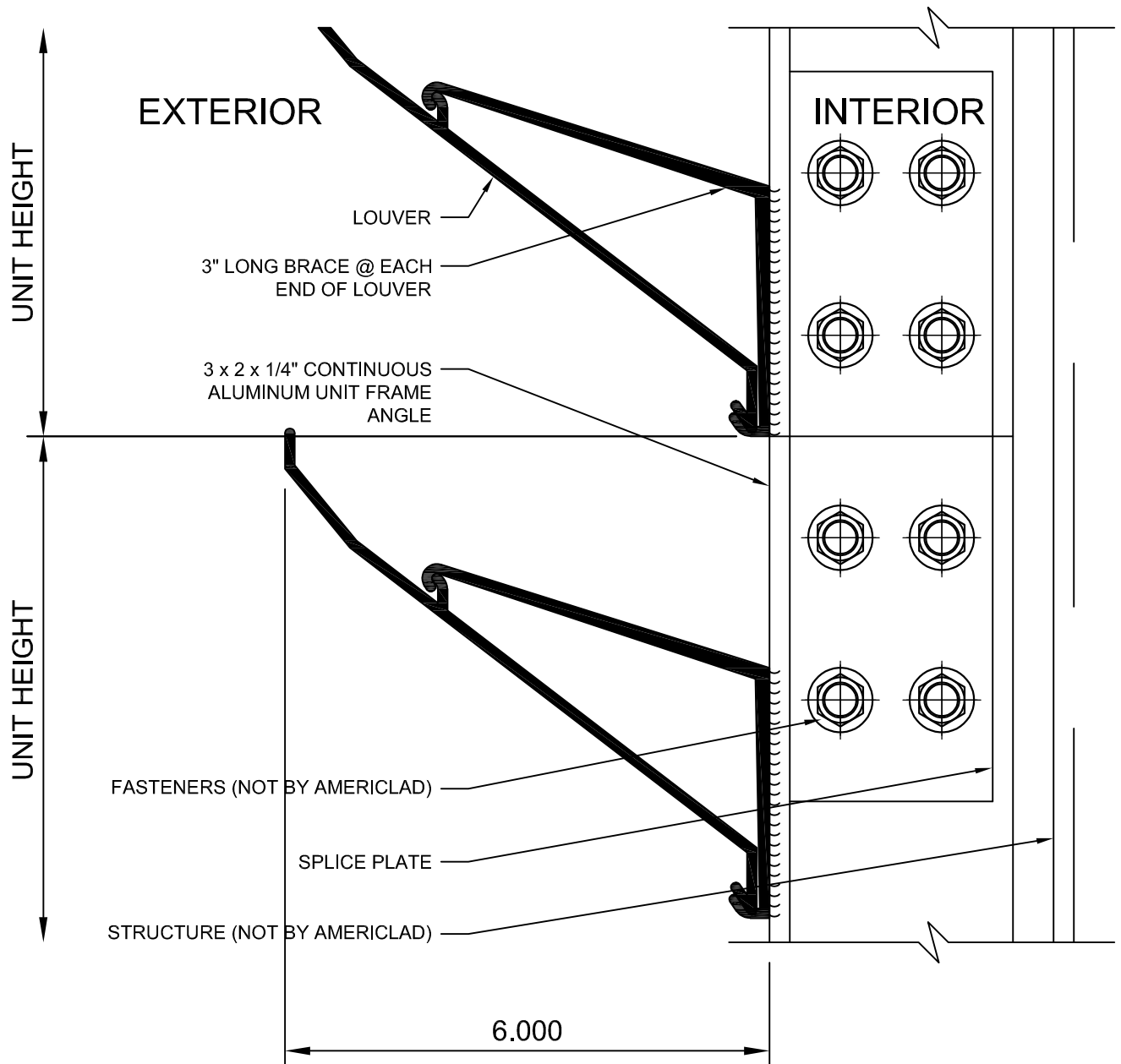
HEAD

DETAIL A



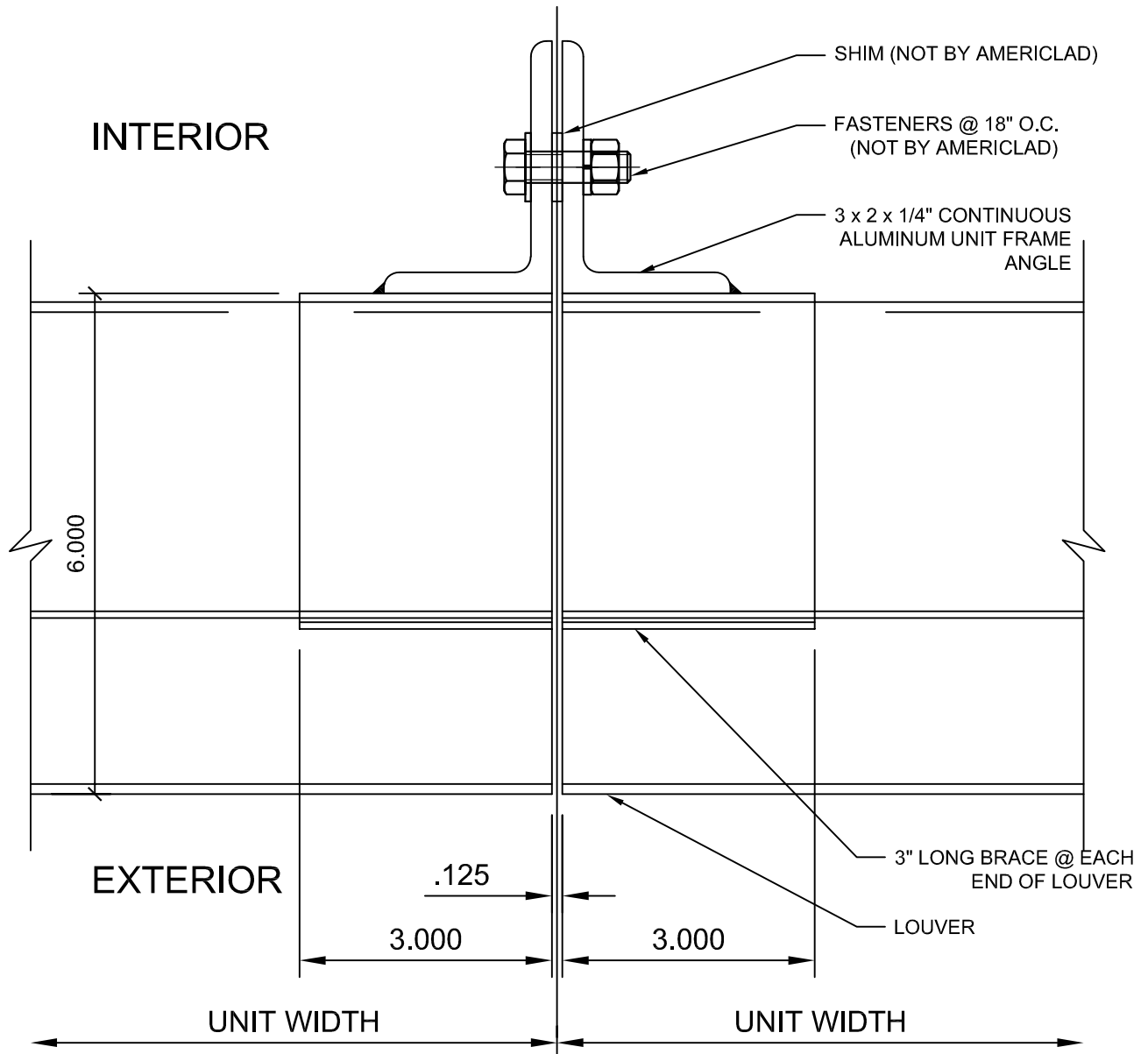


COPYRIGHT AMERICLAD, LLC

HORIZONTAL SPLICE**DETAIL C**

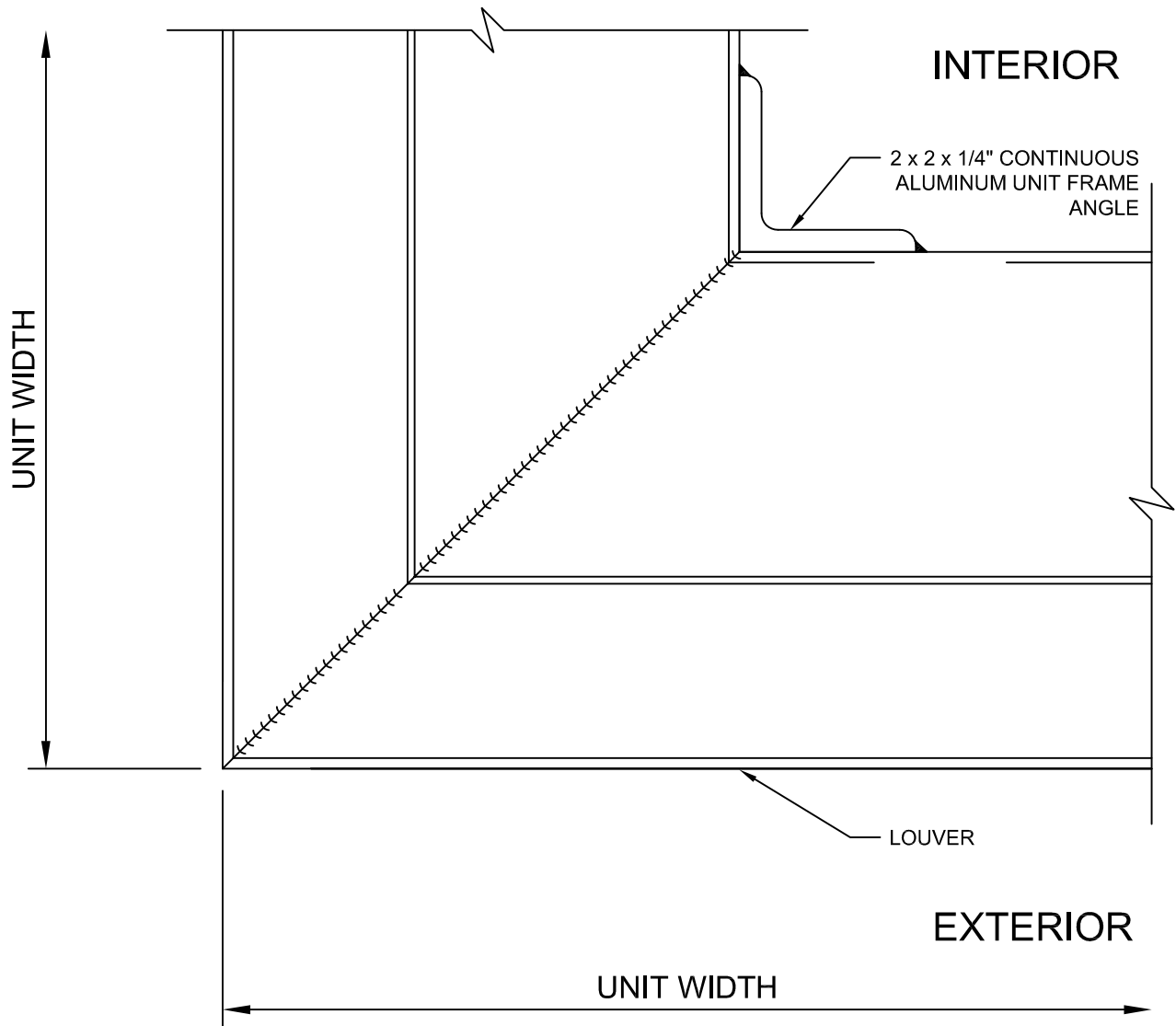
INTERMEDIATE VERTICAL

DETAIL D



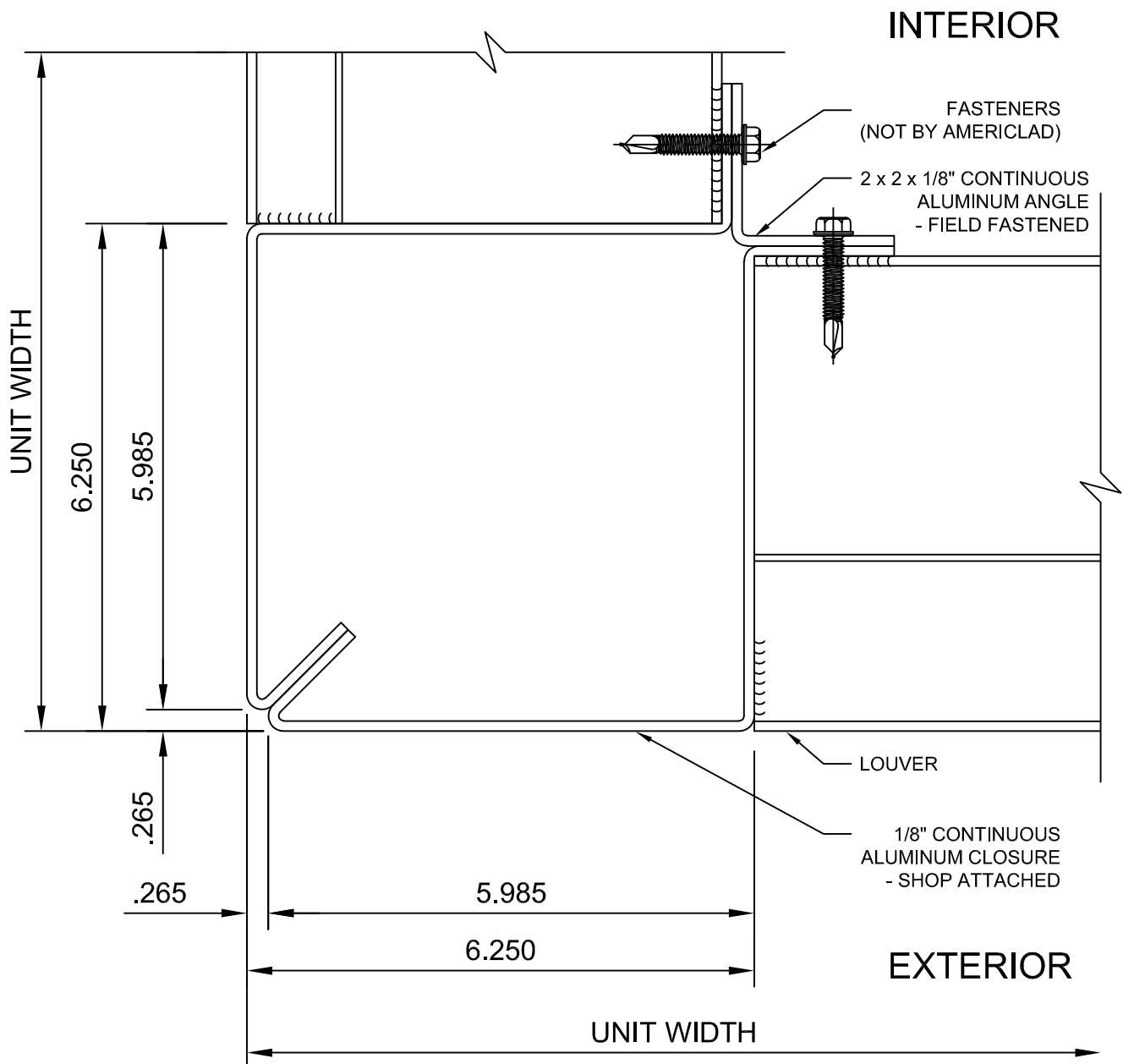
CORNER (1)

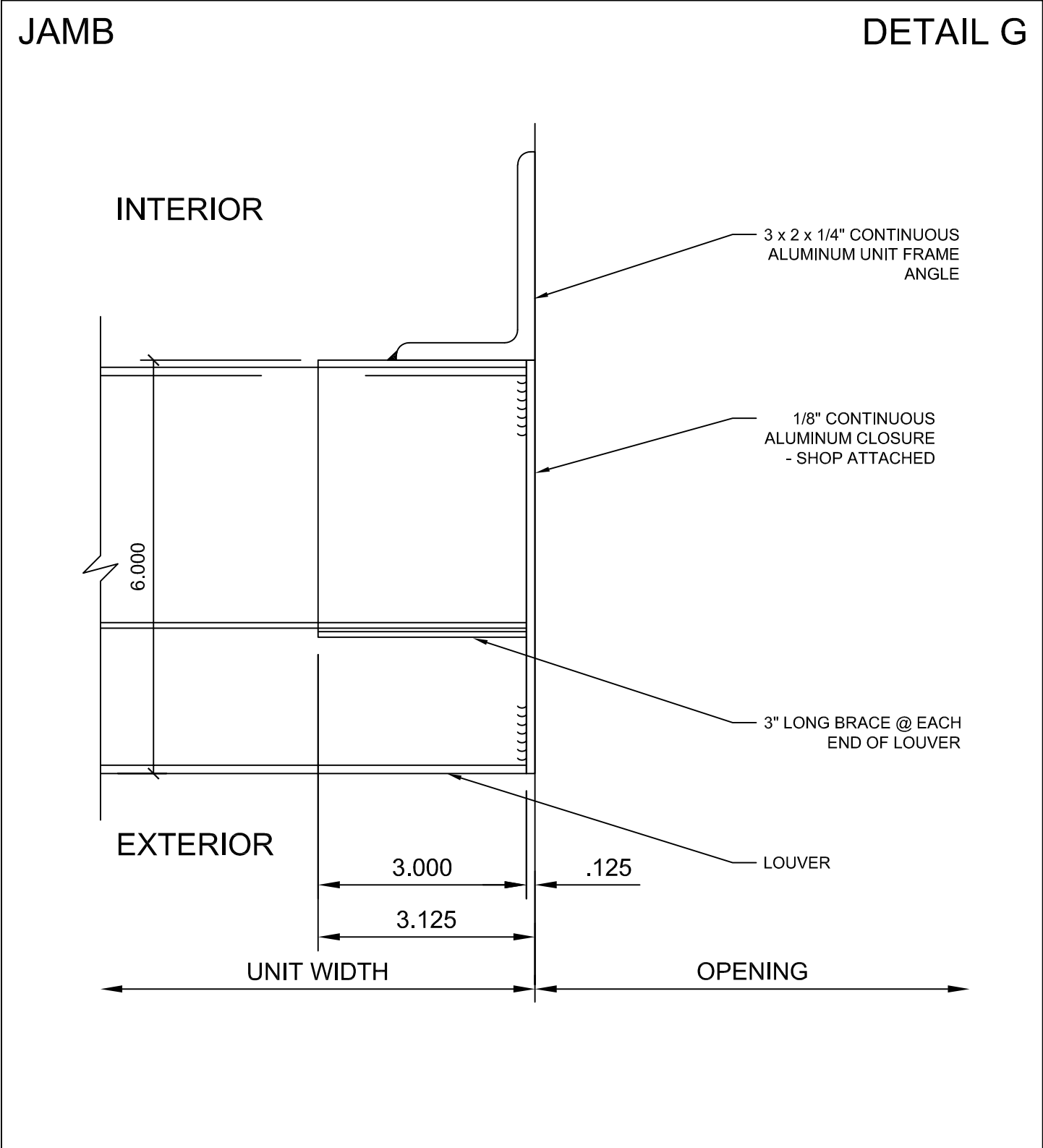
DETAIL E



CORNER (2)

DETAIL F





COPYRIGHT AMERICLAD, LLC